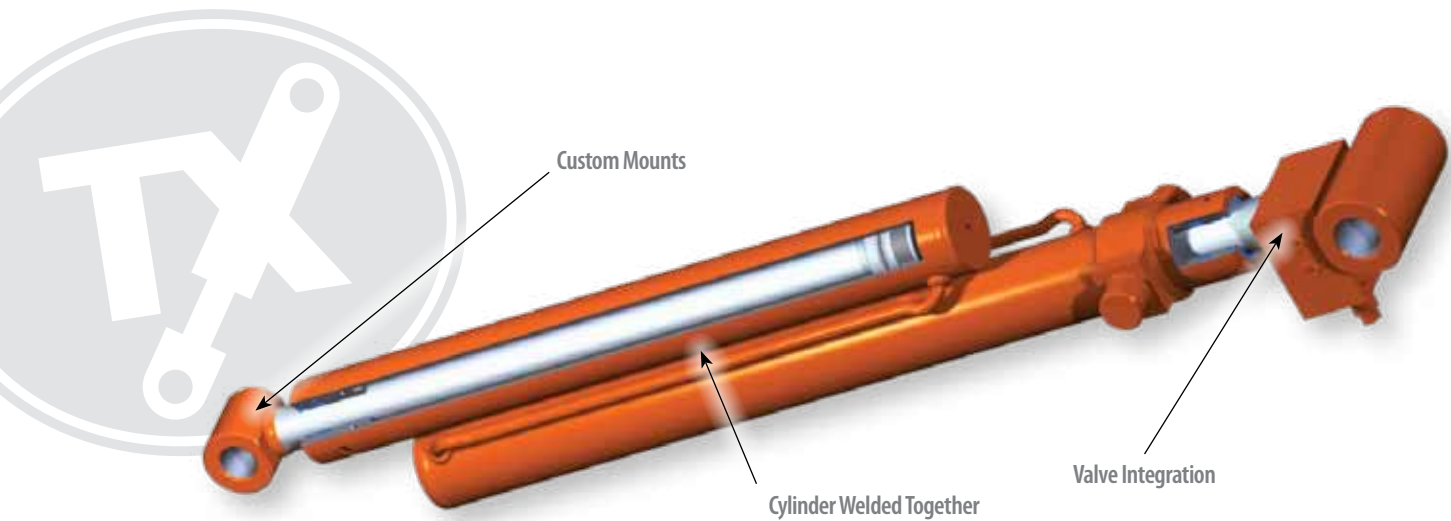


# Piggy-back Hydraulic Cylinders

The Piggy-back Cylinder design enables a longer stroke with a shorter overall length. Piggy-back cylinders are designed for applications that require a long extend with a short retraction area. It is suitable for both high and low pressure situations, and the absence of hoses and fittings eliminates leaks.



## Product Description

- For applications requiring short overall lengths and consistent load capabilities or speed.
- Longer stroke with shorter overall length
- Designed for applications that require a long extend with a short retraction area.
- Interchangeable Seals on the same bore size
- High Pressure and Low Pressure Applications
- Provides Consistent Load and Speed Capabilities

## Optional Features

- Rod or Tube Ported
- Out and Down Functionality
- Valve Integration
- Cushions
- Hollow Tubes
- Sequencing

## Application Examples

- Jack/Outrigger Extend
- Boom Extender
- Wrecker/Tow Vehicles
- Chutes
- Dump Applications